

TECHNICAL DATASHEET – Roof Inlet – ref. INJ.465 – INJ.462
PRE-RELEASE V.1.2

PRODUCT FEATURES



Product range: Castel Air Conditioning
Product category: Ducting and trunking
Product group: Installation accessories

Commercial ref.: INJ.465
Description: Roof inlet 125 x 125 mm

Commercial ref.: INJ.462
Description: Roof inlet 250 x 125 mm

APPLICATION – INTENDED USE

To cover the hole on the roof made to pass through linesets (e.g. insulated copper tubes), that are connected to an outdoor unit

MATERIAL

ASA (Acrylonitrile Styrene Acrylate) plastic material

ASA features:

- high thermal stability
- good chemical resistance
- excellent resistance to weathering, ageing and yellowing.

COLOURS

RAL 9002

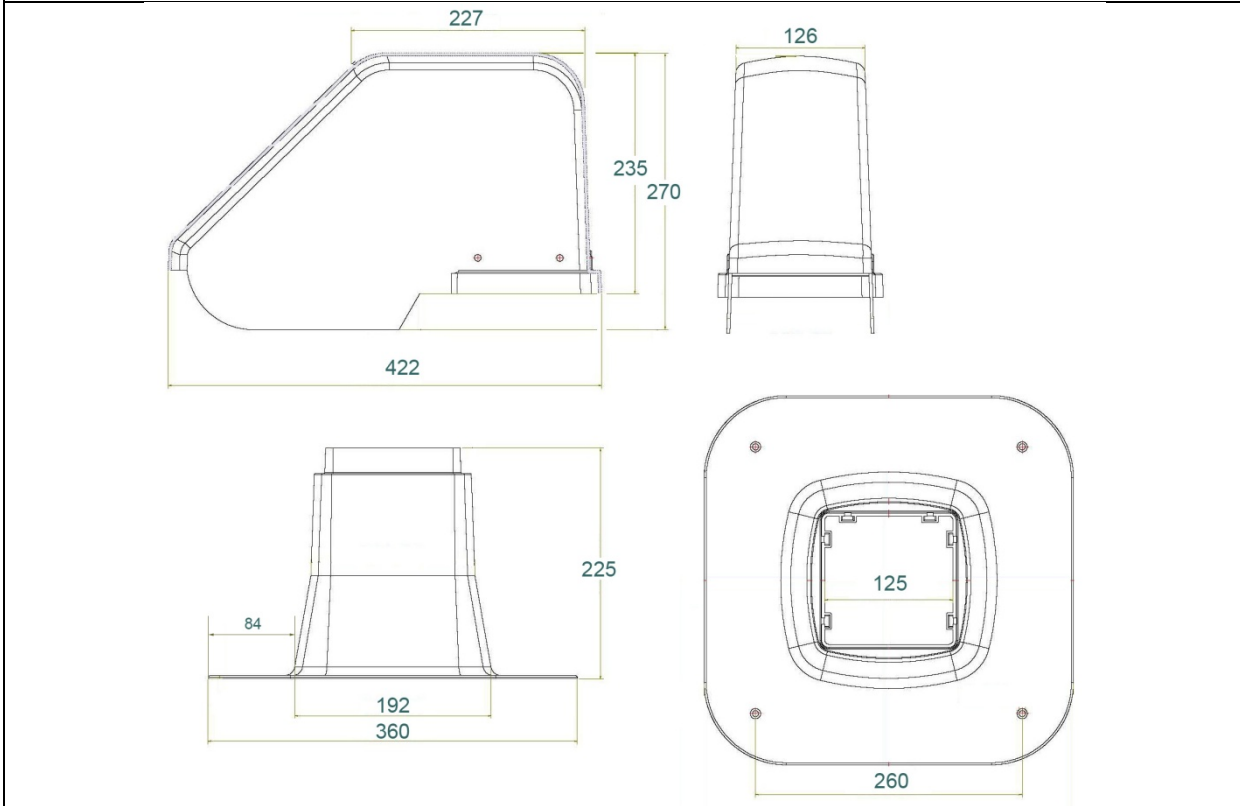
ADMITTED RANGE OF TEMPERATURES IN USE

-20°C - +70°C

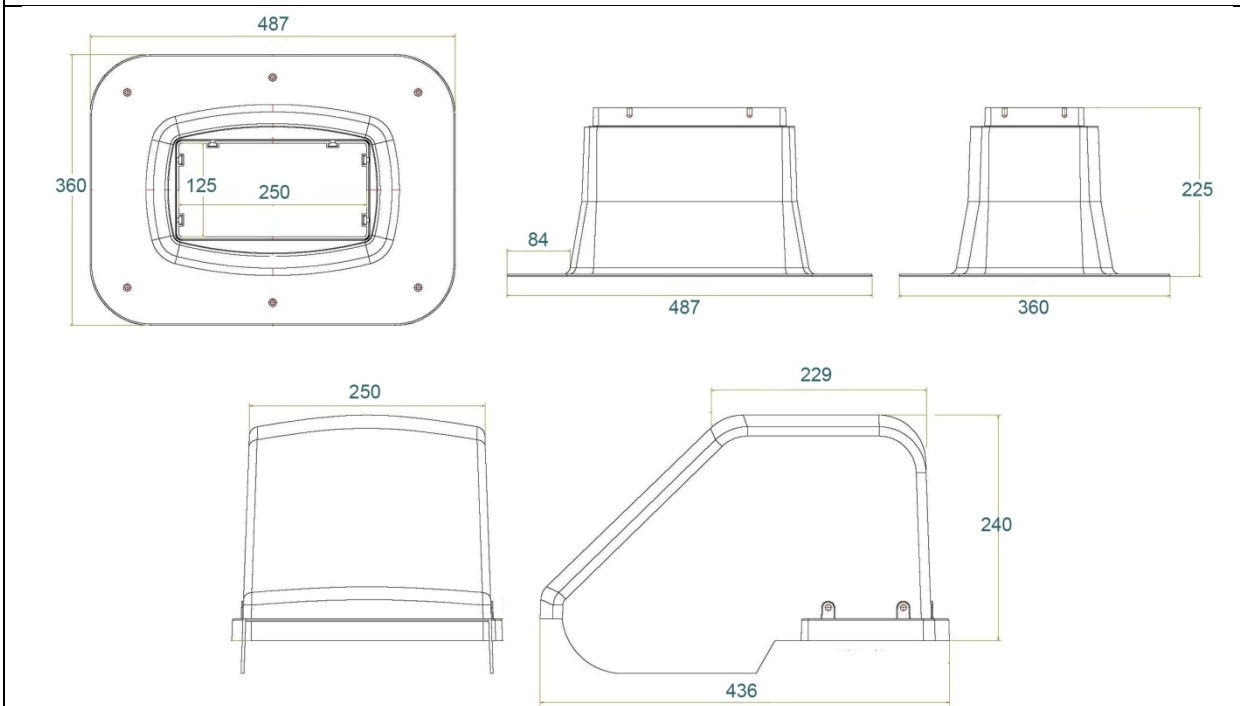
TECHNICAL DRAWING

All measurements in mm

Roof Inlet 125 x 125 mm - INJ.465



Roof Inlet 125 x 250 mm - INJ.462



Ordering and packing information

Article code	Commercial Ref.	Dimensions	Color	Packing box	Packing pallet
0508.00007.037	INJ.465-RFI125	125 x 125 mm	9002	1 pc	30 boxes
0508.00006.037	INJ.462-RFI250	250 x 125 mm	9002	1 pc	32 boxes

ATTACHMENTS:

none

Castel Engineering, Rue de la Royenne 84, B-7700 Mouscron, Tel +32 (0) 56 85 20 21

Copyright © 2010 Castel Engineering – All rights reserved.

Those who in any way utilize the product(s) are solely responsible for determining (a) the suitability of the product for the intended use, (b) the appropriate manner of processing and maintaining the product to ensure safety and quality and (c) chemical, physical and health effects related to those activities, (d) to inform themselves in order to be able to decide if specific tests are necessary for their intended use in respect to norms and regulations in application at the location of their intended use.

The qualified installer is supposed to have professional knowledge about compliance with local regulations, safety factors, choice of the installation location and product orientation, the evaluation of the roof structure, composition and surface, the adequate choice of fixing material (e.g. sealants, screws, etc) and procedures in respect with the known climatic conditions in use and during installation.

Appropriate tools and materials for installation and for maintenance must be selected and used according to the professional know-how, in respect with the nature of our products and in compliance with all procedures and regulations in application at the location of installation.

The roof on which the Roof Inlet is to be installed is supposed to be dry and perfectly watertight.

All above parameters, factors, operations, regulations, compliances and procedures are totally beyond Castel Engineering sa and its Affiliates' controle.

By selling this product Castel Engineering sa and its Affiliates acts in a simple sale – purchase transaction.

Castel Engineering and its Affiliates disclaim any and all responsibility and liability for the use of any such data, information and/or the relevant product.